

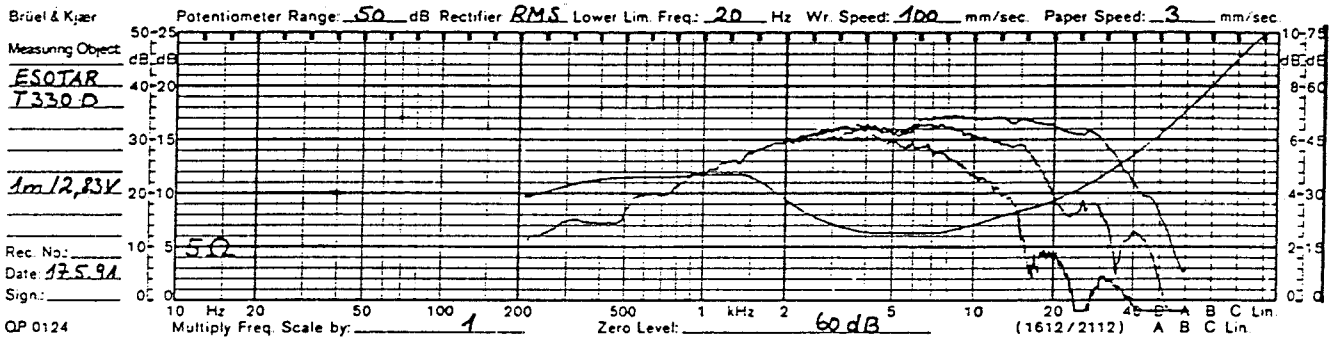
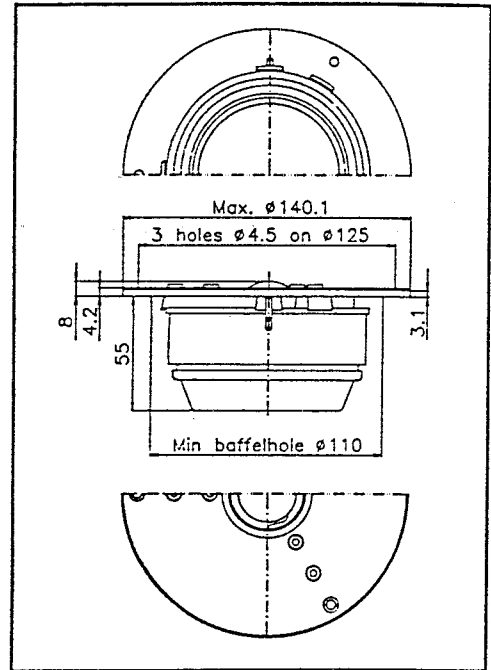
Tweeter ESOTAR® T-330 D

The ESOTAR® T-330 D was developed as a cost-no-object project for the professional HIFI application, thus allowing use of material as well as unconventional production process. Without having any example this model within a short period gained the highest reputation as the state-of-the-art tweeter.

Under research and construction of the inner details all parameters as aerodynamic, reflexions, heat dissipation etc. were taken utmost care of. Proven DYNAUDIO properties as the advanced coil technique, roll-off geometry of the dome and the aperiodic damping helped of course to achieve this result.

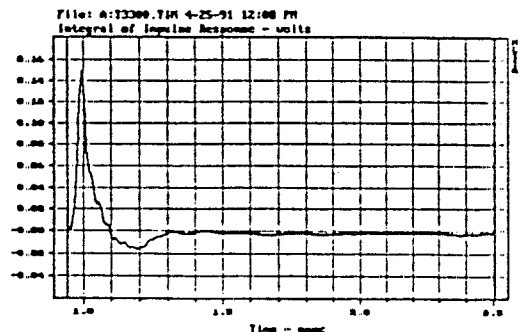
The T-330 D is manufactured on a special production line under lab conditions. The single parts, assembled groups as well as the complete product are tested so manifold as not known from any place elsewhere.

The result is a tweeter within no characteristic at all but of input.

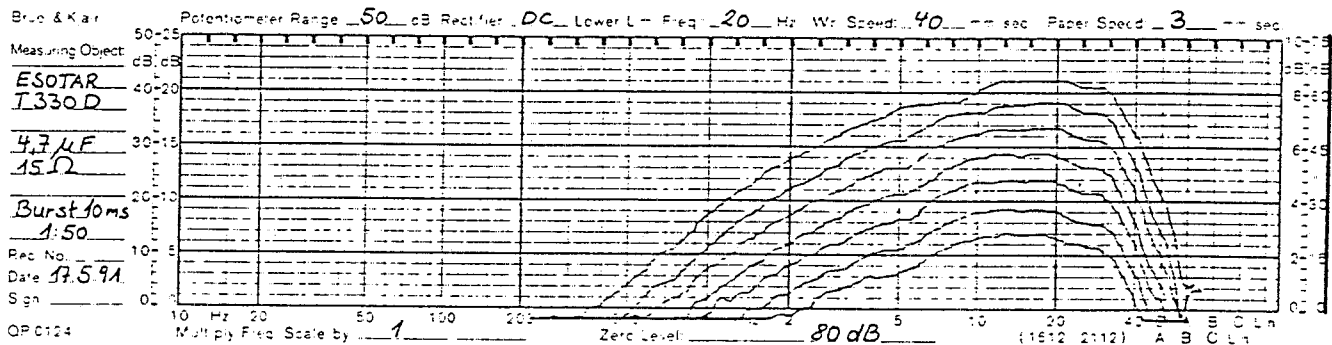


Frequency response and impedance curve ESOTAR® T-330 D on-axis, 30° and 60°, distance 1 m.

The MLSSA measurements show the pulse response of the ESOTAR® T-330 D. The ideal mechanical damping of the voice coil and the sophisticated acoustic damping of the rear chamber provide excellent decay characteristics.



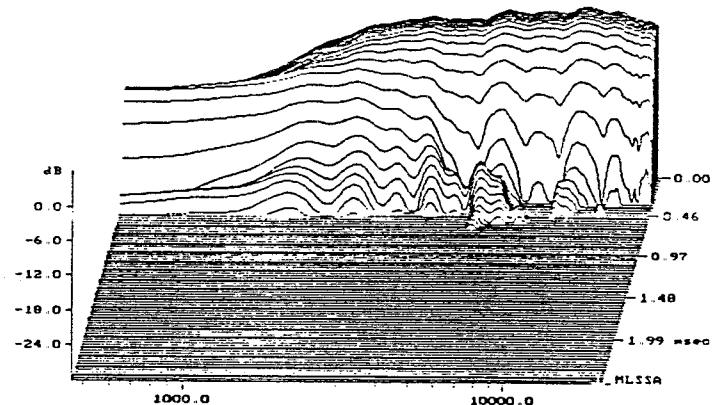
Dynamic Measurements



Levels of 1, 3, 10, 30, 100, 300 and 1,000 watts were applied while recording the curves. The parallel arrangement of the curves indicates that even fast 1,000-W-peaks do not produce any compression. Signal: Tone burst 10 ms, Signal-Pause 1:50

MLSSA Waterfall Plot

The MLSSA cumulative spectral decay (waterfall) plot shows the energy/time response of the ESOTAR® T-330 D. These fairly outstanding results clearly show that time delayed reflections have been reduced to a minimum.



Specifications ESOTAR® T-330 D

Thiele-Small Parameter:

measured with imp. corr. (6.8 ohms and 1.0 μF parallel):

Q, mechanical	Q_{ms}	0.33
Q, electrical	Q_{es}	0.5
Q, total	Q_{ts}	0.2
Resonance free air	f_s	750 Hz
force factor	$B \times L$	4.62 Tm
eff. cone area	S_D	7.7 cm ²
moving mass	M_{ms}	0.45 g
lin. excursion (p-p)	X_{max}	0.3 mm
max. excursion (p-p)		3.2 mm

Voice coil

diameter	d	28 mm
length	h	2.8 mm
layers	n	2
inductance(10 KHz)	L_e	0.07
nom. impedance	Z_{vc}	8 ohms
DC resistance	R_e	5.2 ohms

Sensitivity 2.83 V see curve

Net weight 1600 g

Overall dimensions Ø 140 x 66 mm

Power handling,

depending on crossover:		
nominal (long term)	IEC	>130 W
transient	10ms	>1000 W

All specifications subject to change without notice.